

HD17v5



DIGGING DEPTH

7'2"

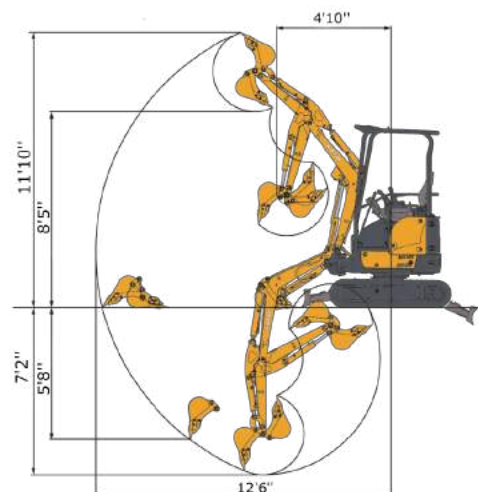
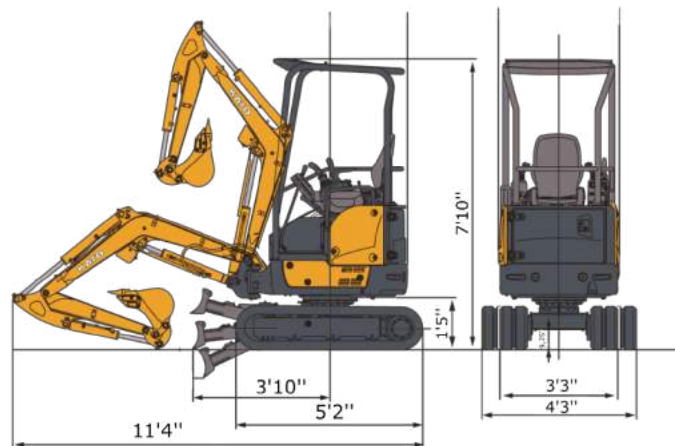
OUTPUT RATING

14.1HP

OPERATING WEIGHT

4,261 LBS

KATO




17V5

Working Ranges

		Working Ranges
A.	Max Digging Radius	12'6"
B.	Max Digging Depth	7'2"
C.	Max Vertical Dig Depth	5'8"
D.	Max Dumping Height	11'10"
E.	Max Digging Height	11'10"
F.	Min. Front-turn Radius	4'10"
G.	at Right Boom Swing	4'5"



HD
HD 17V5



Performance	
Bucket Capacity	1.6 ft ³
Bucket Width	12"
Operating Weight	4,261 lbs.
Transport Weight	3,924 lbs.
Swing Speed	8.5 rpm
Travel Speed (Low/ High)	1.3 mph / 2.5 mph
Gradeability	30°
Ground Pressure	4.4 psi
Bucket Digging Force	4,842 lbs.
Engine	
Model	YANMAR 3TNV74F
Output Rating	14.1 hp / 2,300rpm
Fuel Tank Capacity	5.8 gallons
Boom Swing System	
Type	Offset Boom w/ Hydraulic Cyl.
Swing Angle (L / R)	55° / 70°
Hydraulic System	
Total Hydraulic System Flow	12 gpm
Max Auxiliary Hydraulic Flow	7 gpm
Dozer Blade	
Size	3' 3" x 9.25"
Lift Above / Drop Below Ground	11.8" / 9"



KATO

EXCAVATORS AND TRACK LOADERS

www.KATOCES.com

400 Production Court

Elizabethtown, KY 42701

(800) 538-1447 | Fax: (270) 737-0419